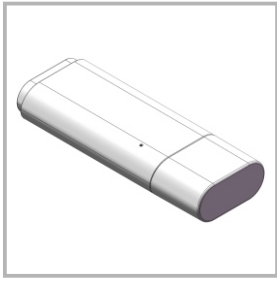
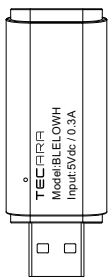
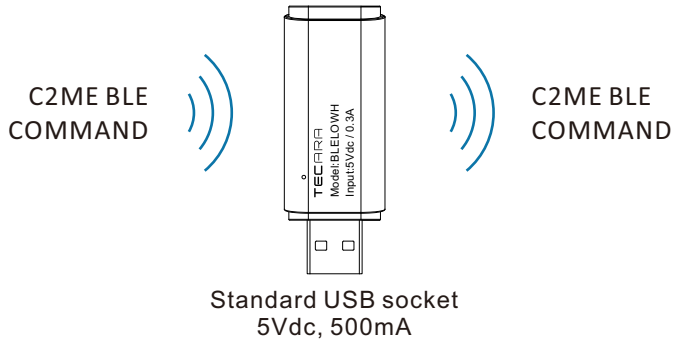
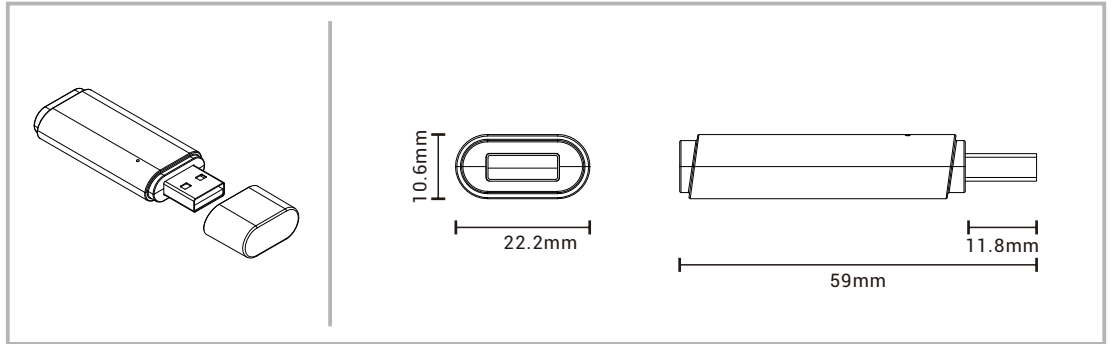


BRUSB10 USB Repeater (10 dB)



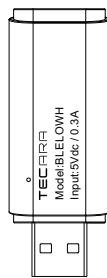
USB Repeater



Range extension for BLE control system



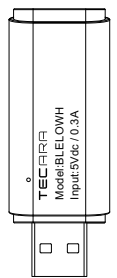
install 1 repeater every 300 meters (Line of Sight) to ensure the stability of the system.



Range extension for BLE control system



install 1 repeater every 300 meters (Line of Sight) to ensure the stability of the system.



Remark:

This repeater is used to extend the range of our BLE control system. We recommend to install 1 repeater every 300 meters (Line of Sight) to ensure the stability of the system.

Technical Specs:

Form Factor: USB dongle
Input: 5Vdc, 500mA (Standard USB socket)
Output: Range extension for BLE control system

Applications:

Range extension.

Ordering Codes

Follow the steps to specify your fixture.

example:

① Base Code	② Code	Color
BRUSB10	WH	White
	BK	Black