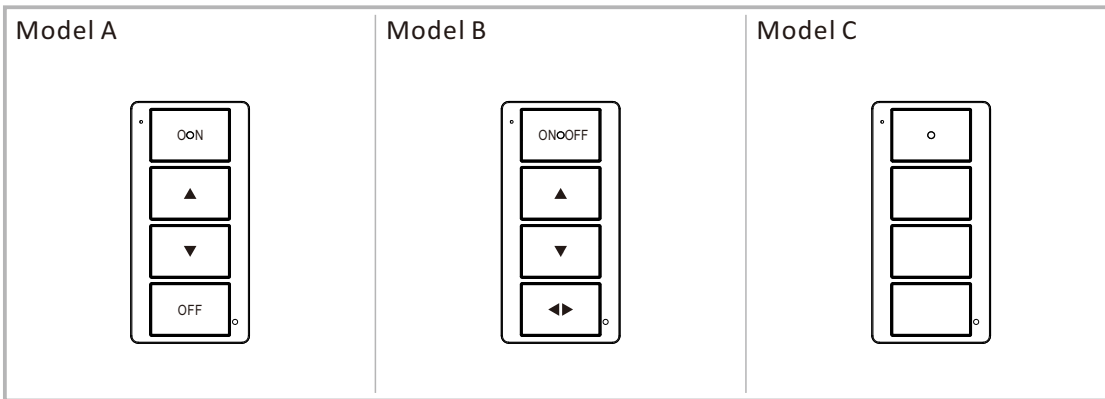
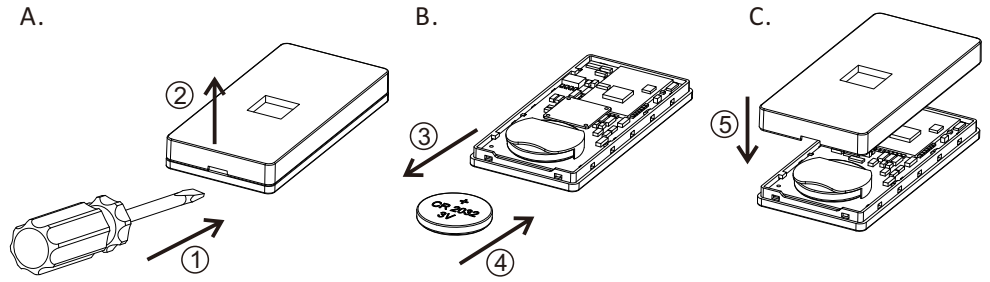
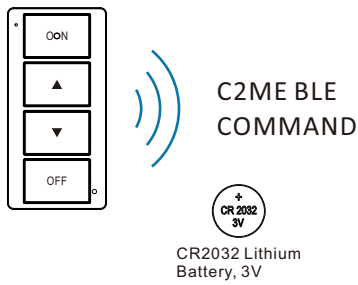
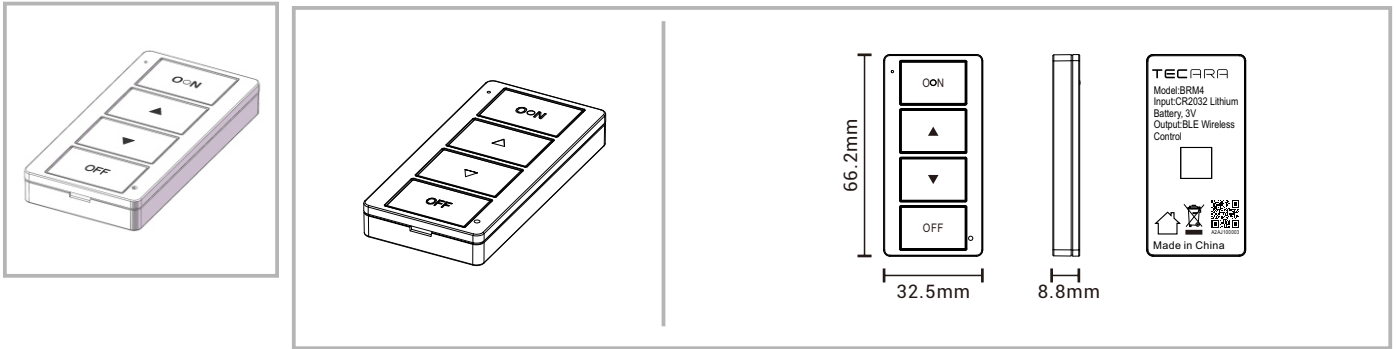


BRC4 Remote Control



Remark:

This remote control uses lithium battery and can provide BLE wireless ON/OFF and dimming control through the 4 buttons on its faceplate. Ranged 30 meters line of sight.

Technical Specs:

Input: CR2032 Lithium Battery, 3V
 Number of buttons: 4
 Output: BLE wireless control

Applications:

Install smooth surface
 US single gang fit wall switch

Ordering Codes

Follow the steps to specify your fixture.

example:

① Base Code	② Code	Model
BRC4	01	Model A
	02	Model B
	03	Model C

